

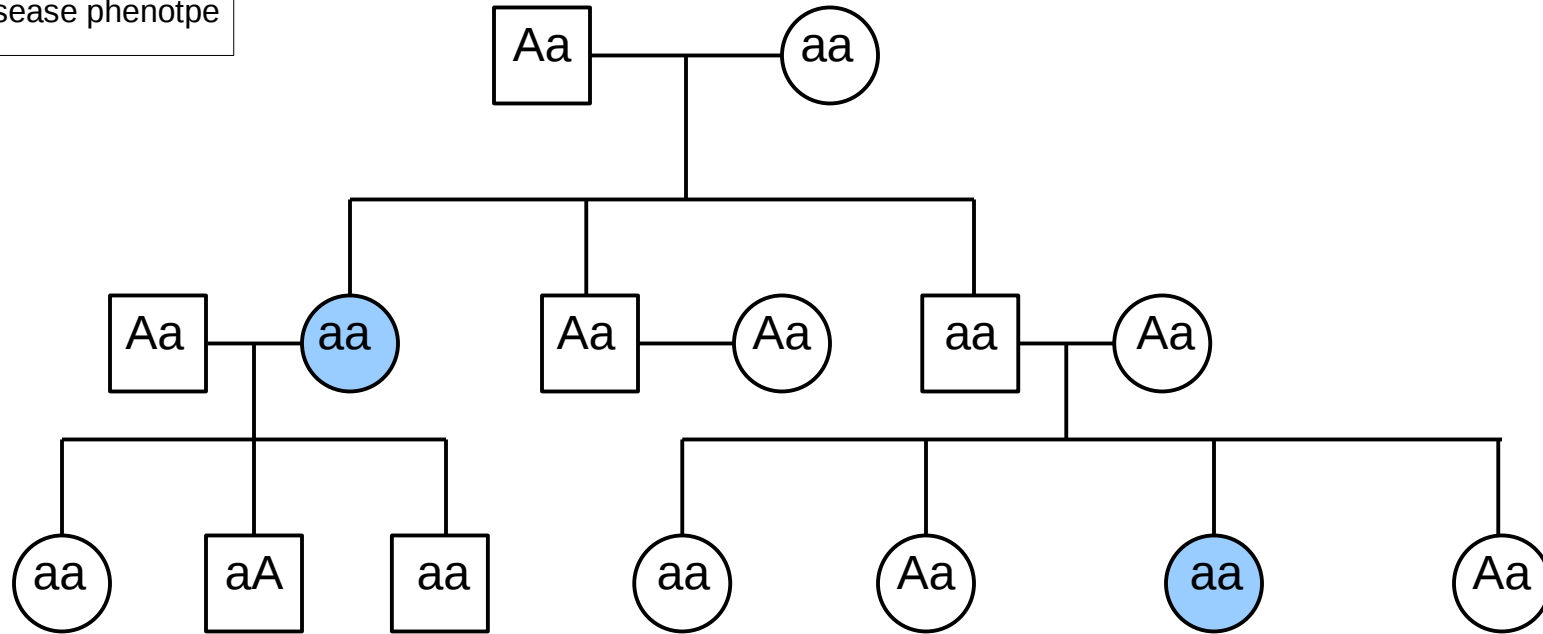
Legend

Square – male

Circle – female

Shaded – disease phenotype

Williams Pedigree



1. Which allele is associated with the disease phenotype?
2. Is the disease phenotype dominant or recessive?
3. What genotype is associated with the disease?
4. What is the penetrance for this genotype in this family?

What conclusions does this evidence support? (Think in terms of genetic markers, linkage, risk factors, etc.)